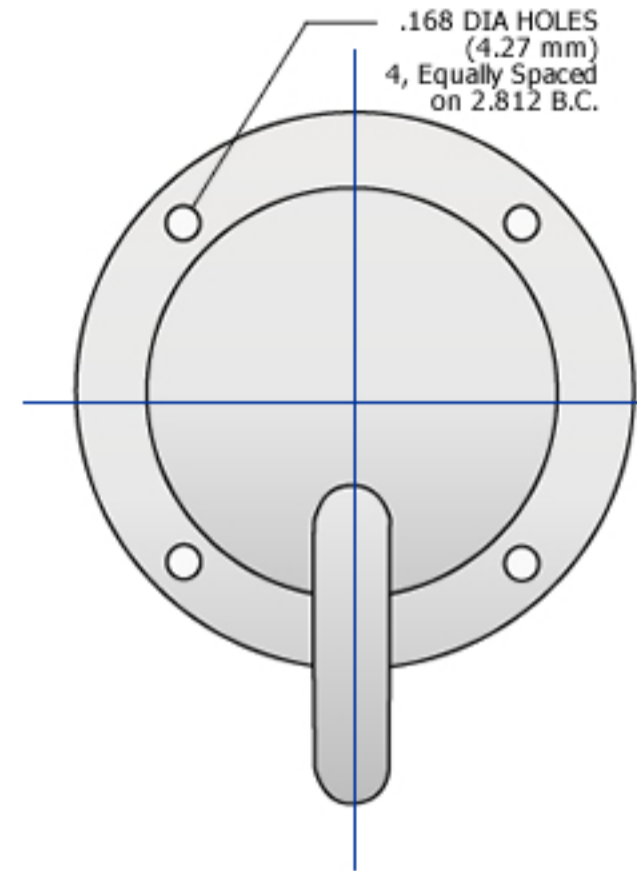
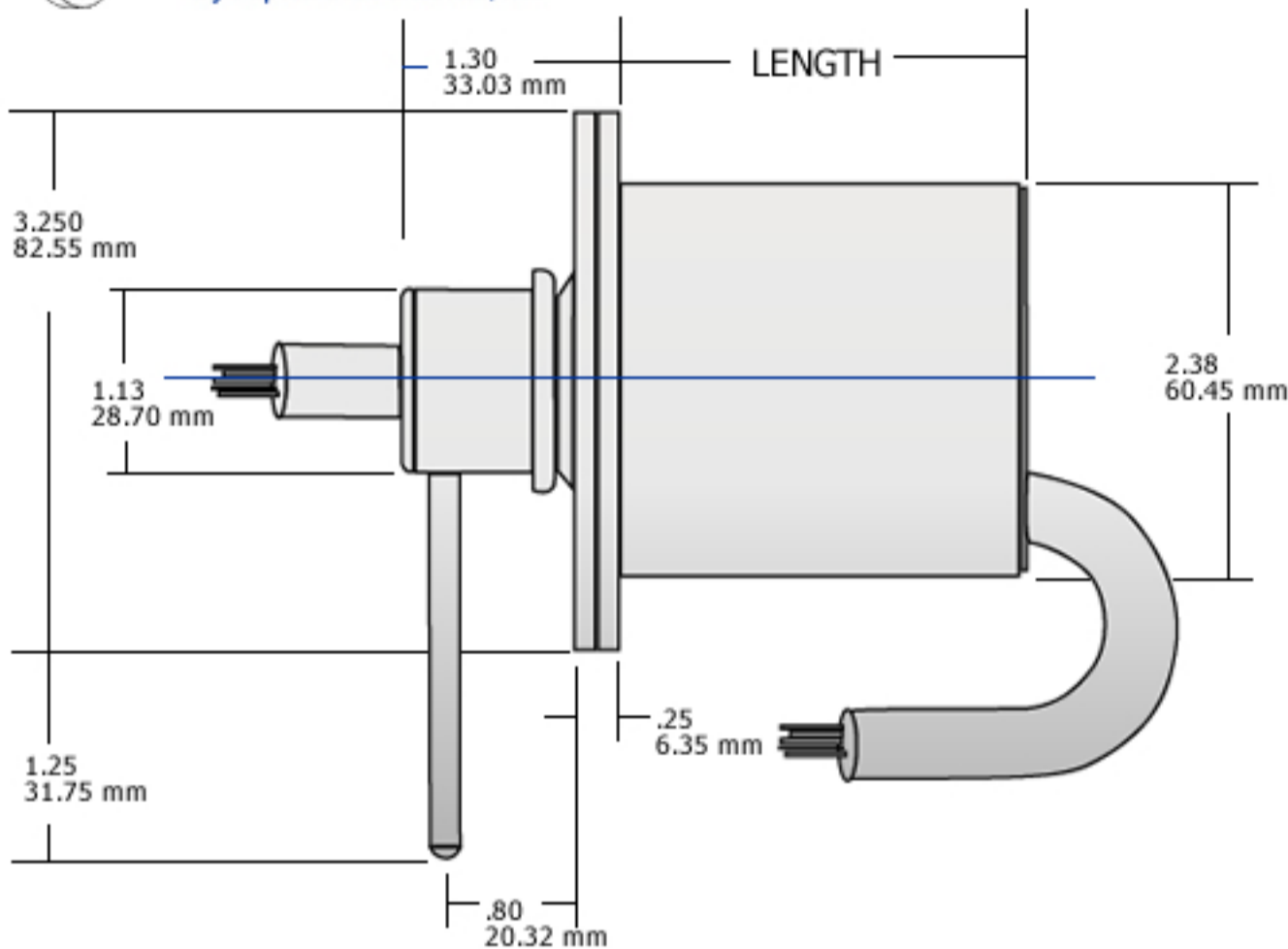


# MODEL 523



Connectors: Customers Choice

## LENGTH

Number of Rings	Inches	Milimeters
02 - 04	1.9	48.26
06 - 08	2.5	63.50
10 - 12	3.10	78.74
14 - 16	3.70	93.98

### MECHANICAL SPECS

Coin Silver Rings  
 Silver Graphite Contacts  
 Ball Bearings  
 Passivated STN STL Housing  
 Temperature -20 to 180 Deg F

### ELECTRICAL SPECS

Current - 10 Amps Continuous  
 Voltage - 1 KV  
 Electrical Noise - 5 uV  
 Wire: 18 AWG, IKV, 3 FT long (1m)  
 Wire Jacket: Teflon

### OPTIONAL CONFIGURATIONS

Longer Leads: COAX, T.S.P, QUAD  
 Custom Mounting Configuration  
 Oil Filled  
 Current: 20 AMPS  
 Voltage: 2 KV  
 Signals: DC to 275 MHZ  
 Subsea Applications  
 Temperature: -35 to 392oF  
 Speed: 2,000 RPM  
 Synthetic Fluid Immersion

### Ordering Information

523 - 08 = 523-08  
 Model Number of Rings Part Number