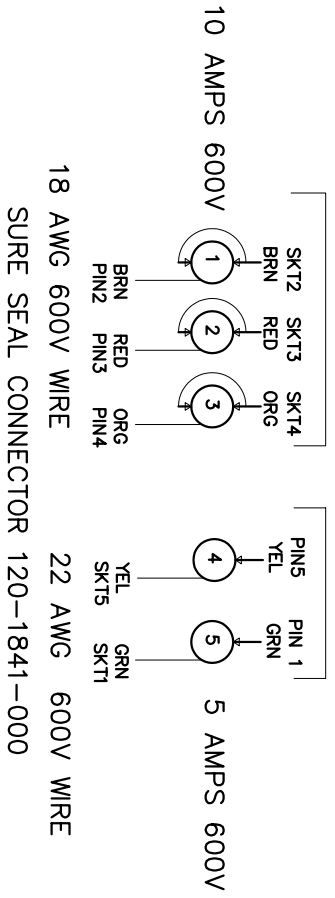


25 DIAMETER HOLES
(4X90)
ON 3.562 B.C.

SURE SEAL CONNECTOR
PLUG 120-1841-000
030-2196-006 PINS (3)
031-1267-005 SOCKETS (2)

SURE SEAL CONNECTOR
RECEPTACLE 120-1839-000
030-2196-006 PINS (2)
031-1267-005 SOCKETS (3)

SURE SEAL CONNECTOR 120-1839-000



MATING PLUGS INCLUDED

MECHANICAL SPECIFICATIONS
COIN SILVER RINGS
SILVER-GRAPHITE CONTACTS
BALL BEARINGS
STAINLESS STEEL ENGAGEMENT PARTS

ELECTRICAL SPECIFICATIONS
CURRENT-3 RINGS 10 AMPS- 2 RINGS 5 AMPS CONTINUOUS,
VOLTAGE- 1 KV MAXIMUM
ELECTRICAL NOISE- < 5 uV
WIRE: 18 & 22 AWG, 600V
WIRE JACKET: TEFLON

CONTENTS OF THIS DRAWING ARE PROPRIETARY AND CONFIDENTIAL. THEY ARE NOT TO BE DUPLICATED OR DISCLOSED TO OTHER PARTIES WITHOUT WRITTEN AUTHORIZATION FROM ALPHA INSTRUMENTS, INC

PRODUCT ID	828	ALPHA SLIP RINGS, INC
PT NAME	OUTLINE	7801 N. LAMAR - STE E190 - AUSTIN, TX 78752-812-535-2353
DRAWN BY	FC	PART NUMBER
MATERIAL		363-05
NO REQD		SLIP RING ASSEMBLY
FINISH	B	SIZE DATE
REFERENCE	364	07/30/08
		DWG NO
		363-05
		SCALE
		1-1
		WEIGHT
		3.0 LBS
		SHEET
		10F1