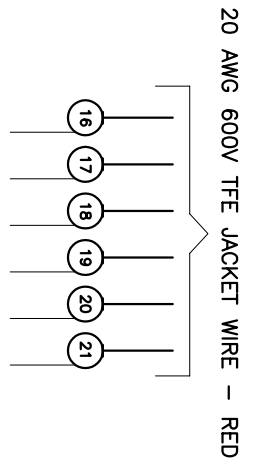
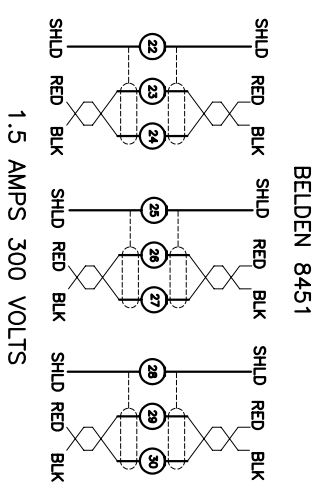


4.5 AMPS 600 VOLTS



2.5 AMPS 600 VOLTS



1.5 AMPS 300 VOLTS

MECHANICAL SPECIFICATIONS

- COIN SILVER RINGS
- SILVER-GRAPHITE CONTACTS
- BALL BEARING ALIGNMENT
- SPLASH PROOF
- STN STL ENCASUREMENT PARTS
- RPM < 200

CONTENTS OF THIS DRAWING ARE PROPRIETARY AND CONFIDENTIAL. THEY ARE NOT TO BE DUPLICATED OR DISCLOSED TO OTHER PARTIES WITHOUT WRITTEN AUTHORIZATION FROM ALPHA SLIP RINGS, INC

PT NAME OUTLINE		ALPHA SLIP RINGS, INC	
DRAWN BY FC		7801 N. LAMAR - STE E190 - AUSTIN, TX 78752 512-535-2353	
MATERIAL		PART NUMBER	
NO RECD		375-30 SLIP RING ASSEMBLY	
DATE 1/19/08		SIZE FSCW NO	
REFERENCE 376		DWG NO 375-30	
SCALE 1-1		WEIGHT	
C		SHEET 1	
		REV	

A

B

C

D

4

3

2

1

4

3

2

1